



Tools Needed

Drill Bits

1/8"
1/4"
5/8"



Drill



Level

Tape Measure
& Pencil

8 per column:

1/2" x 5" 300-series
stainless steel
or hot-dipped
galvanized bolts



Safety Glasses

Ratchet & Sockets



Mallet

Hammer Drill & 1/2" Masonry Bit

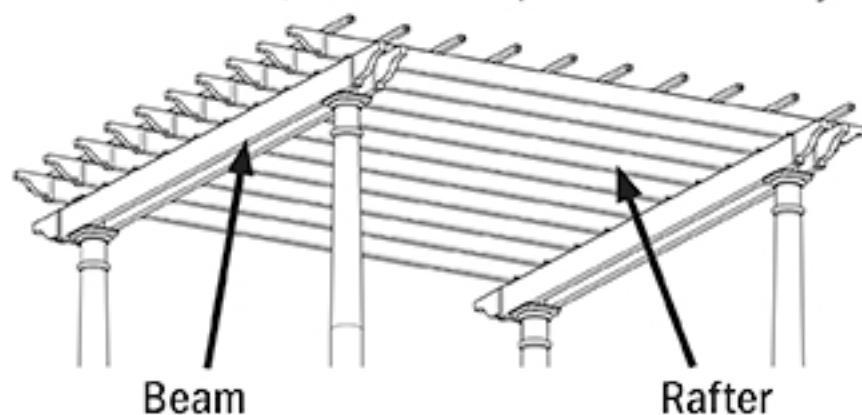


Standard kits Include:

- 4 or 6 column mounts w/ adjustment plates
- 4 or 6 vinyl columns
- 4 or 6 vinyl trim sets
- 4 or 6 beam mounts
- 4 beams
- Applicable amount of rafters and shade cover
- All hardware except concrete bolts

1 Column Placement

Using the measurements below, mark an outline for the column mounts. If there are more than four columns, be sure to space them evenly.



Beam

Rafter

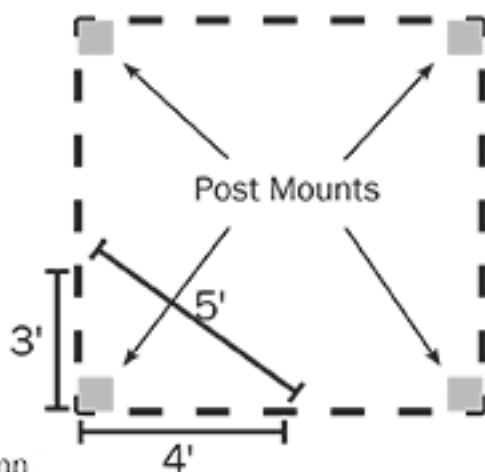
10" Tapered & 8" Straight* Column
Subtract 15 3/4" from beam length

8" Tapered & 6" Straight* Column
Subtract 13 3/4" from beam length

10" Tapered & 8" Straight* Column
Subtract 15" from rafter length

8" Tapered & 6" Straight* Column
Subtract 13" from rafter length

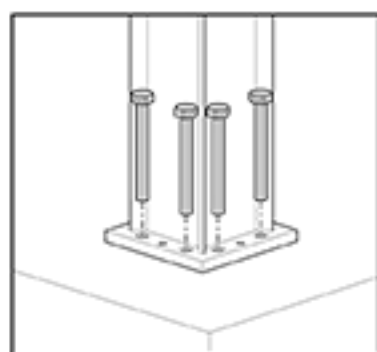
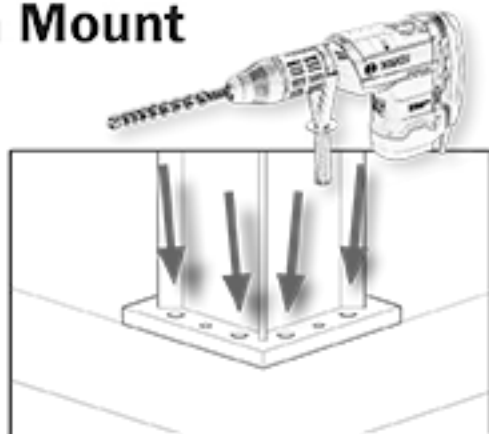
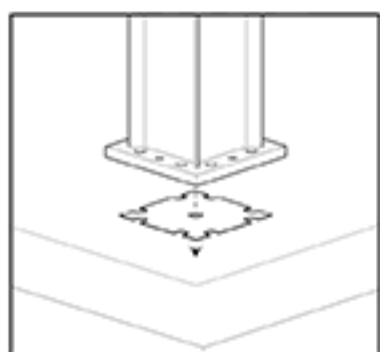
*Straight includes both square and round columns



Use the 3'- 4'- 5' rule, as shown, to ensure square.

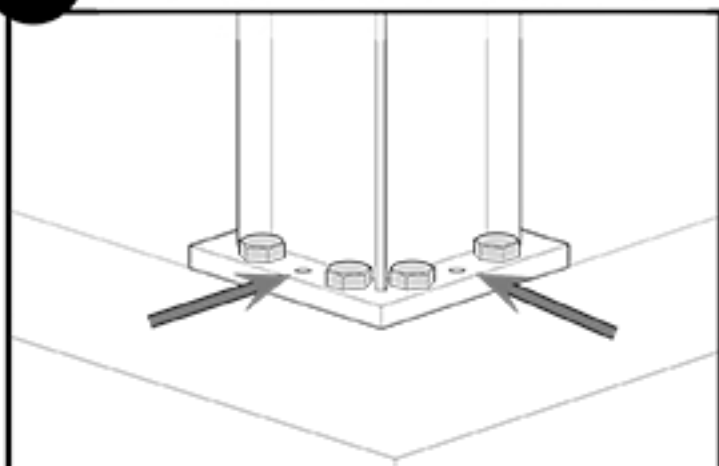
These directions are only a guide and may not address every situation. The installer should obtain all required building permits and follow all installation procedures in accordance with applicable building code requirements. Our engineering specs require columns to be mounted on a concrete footer minimum 3' deep and 1' 4" wide using 4000 psi concrete. Always wear proper safety equipment. Failure to follow engineering specs and local building codes may void warranty. Superior Plastic Products, inc. shall not be held liable for improper or unsafe installations.

2 Fasten Column Mount



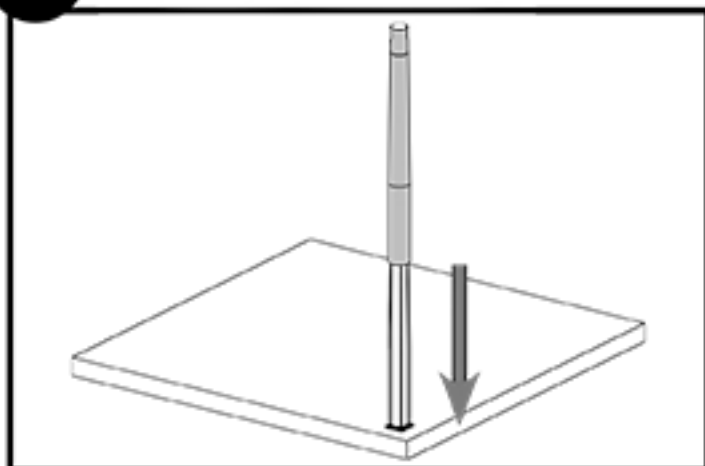
Set the Column Mount Adjustment Plate and Column Mount in position, and hammer drill through the bolt holes into the concrete. Use 1/2" x 5" 300-series stainless steel or hot-dipped galvanized bolts.

3 Level Column Mount



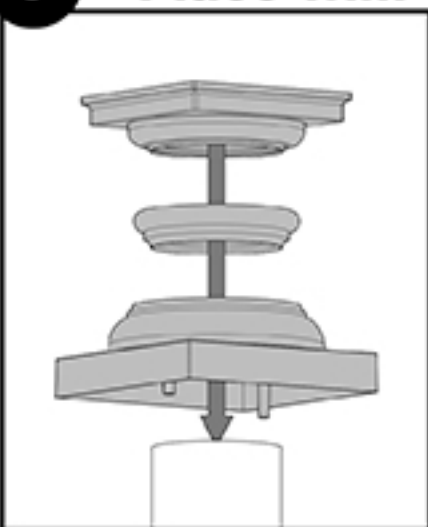
Using a level, ensure the column mount is plumb using the adjustment bolts.

4 Place Column



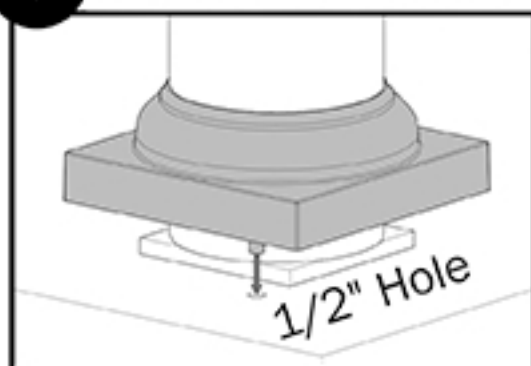
Place the column over the column mount.

5 Place Trim



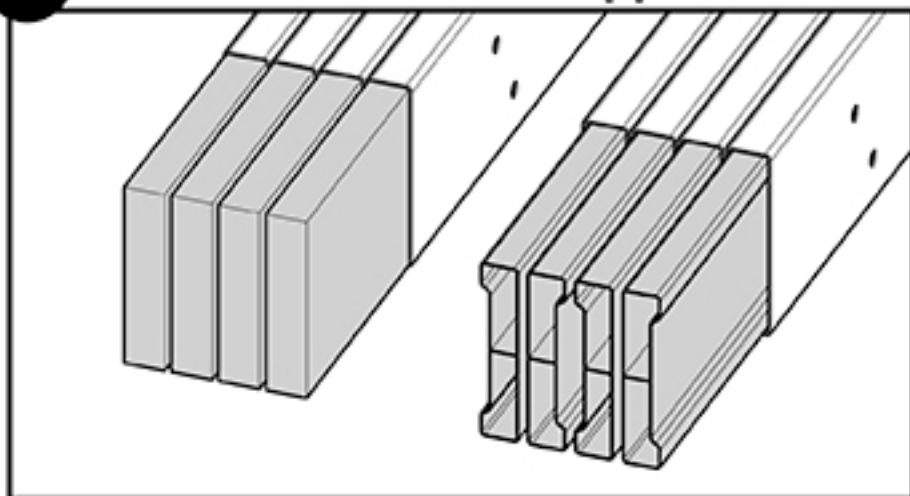
Place the bottom, mid (if used), and top trim ring over the top of the column.

6 Bottom Trim Placement



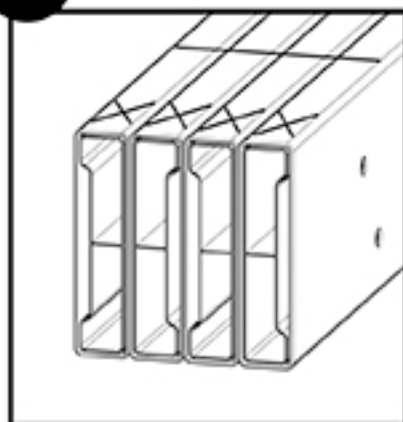
Square bottom trim ring and mark placement of 2 trim guide holes. Use a hammer drill with 1/2" masonry bit to drill a hole for each guide.

7 Insert Structural Support



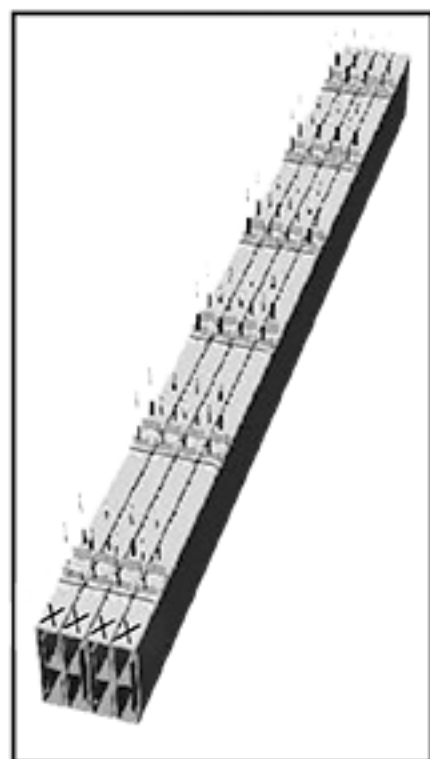
Insert lumber or structural aluminum channel. The flat sides of the channels should face each other, as shown.

8 Mark Beams (use chart below)

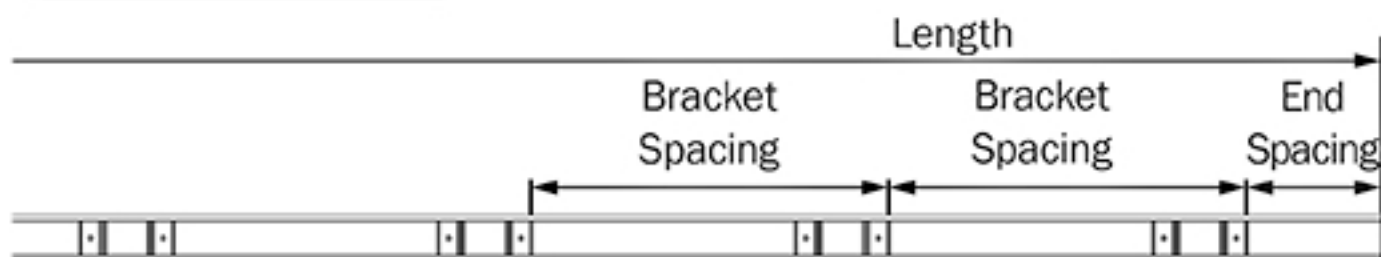


Align the ends of the beams using a square, then clamp them together. Mark one end of the beams with an X. Using the chart below, draw a line across all beams at applicable intervals.

9 Attach Stringer Brackets

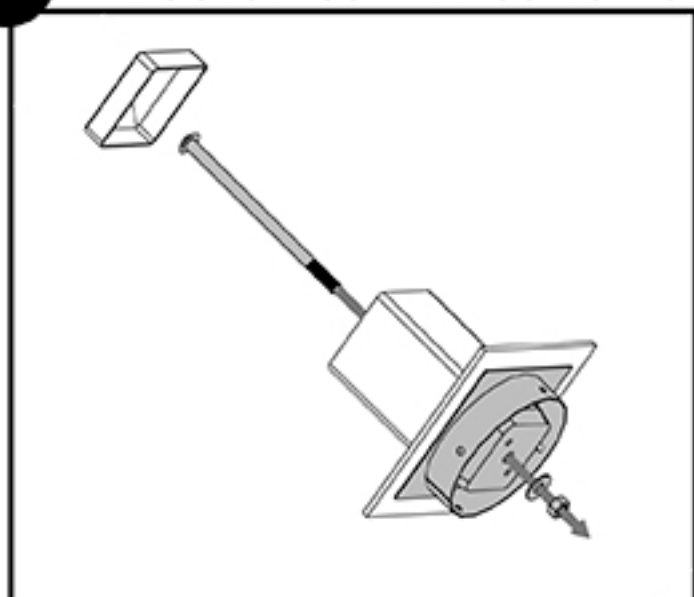


Attach the stringer brackets as shown. See the chart below for bracket spacing.



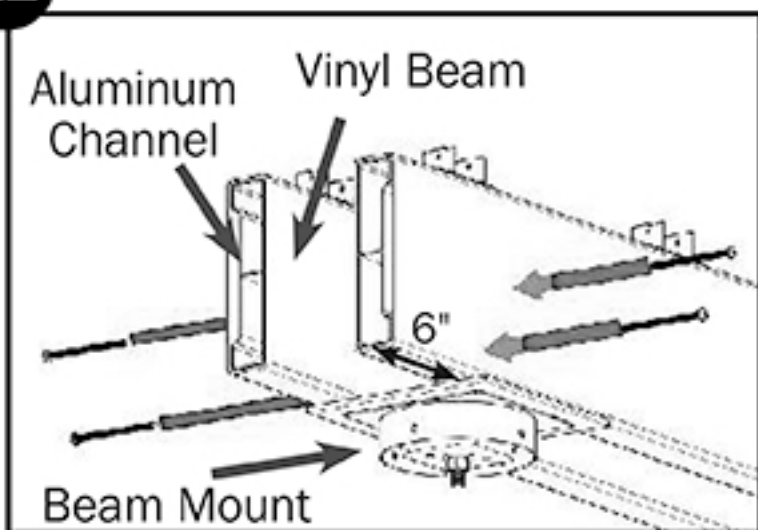
Beam Length	Bracket Spacing	End Spacing	Rafters Required
8'	14"	3 ⁷ / ₈ "	7
10'	15 ¹ / ₂ "	3 ⁵ / ₈ "	8
12'	14 ³ / ₄ "	3 ¹ / ₂ "	10
16'	15"	3 ⁷ / ₈ "	13
20'	15 ¹ / ₄ "	3 ¹ / ₂ "	16
24'	15 ¹ / ₄ "	4 ⁵ / ₈ "	19

10 Insert Beam Mount Bolt



Remove Beam Mount cap, then fasten bolt through beam mount and re-attach cap.

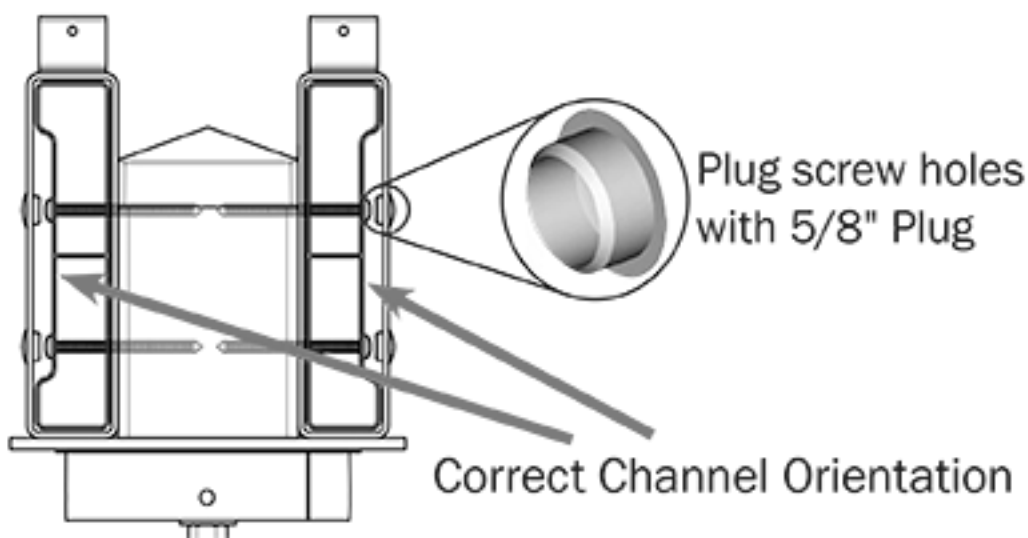
11 Attach Beams



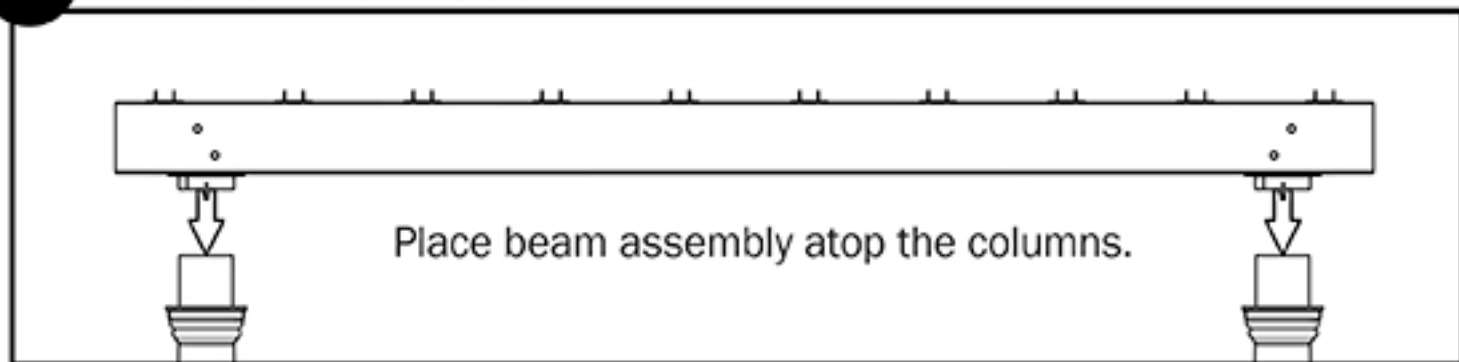
1. Predrill $1/8$ " dia. hole through vinyl beam and aluminum channel and $1\frac{1}{2}$ " into beam mount.
2. Predrill $1/4$ " dia. hole through vinyl beam and aluminum channel.
3. Predrill $5/8$ " dia. hole through outside wall of vinyl beam only.

Edge of the beam mount should be 6" from the end of the beams.

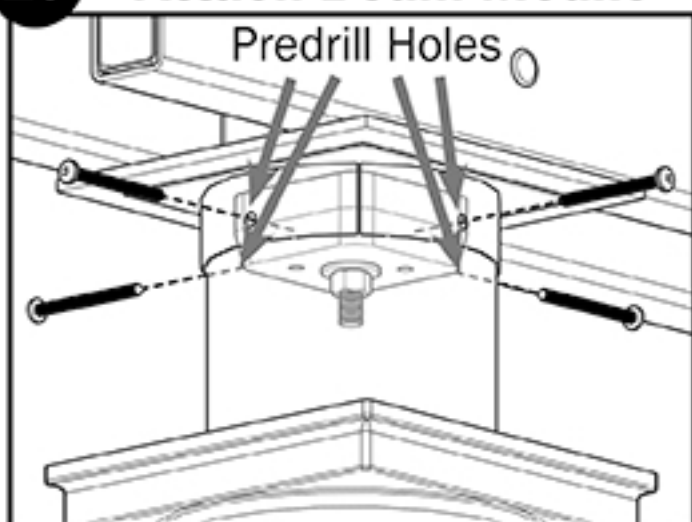
Orient the beam so the indent in the channel is facing away from the beam mount and the stringer brackets are up.



12 Place Beam Set



13 Attach Beam Mount



1/4" x 3" Screws

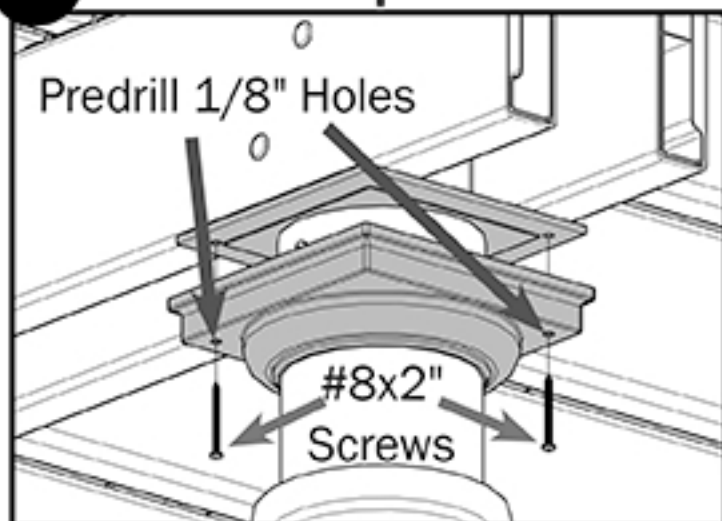
1/4" x 4" Screws for 10" Straight Column

At screw holes in beam mount collar.

1. Predrill 1/8" hole through vinyl column and aluminum mount 1-1/2" into beam mount poly block.

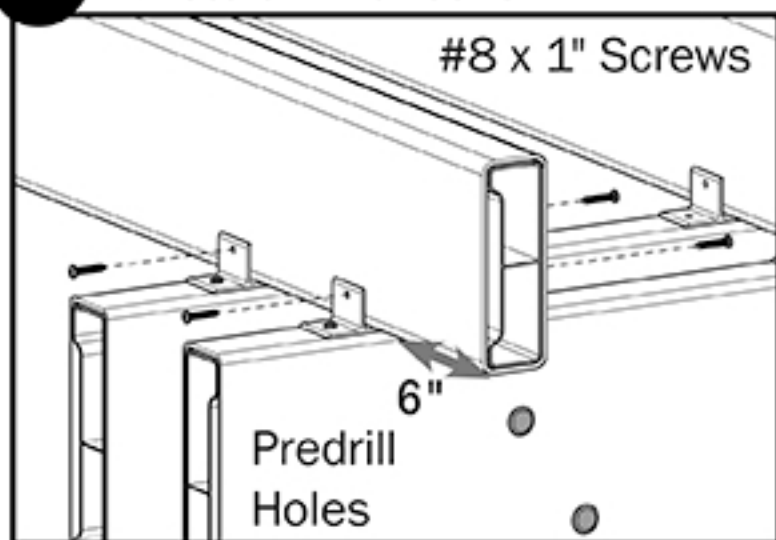
2. Predrill 1/4" hole through vinyl column and aluminum mount, but **not** into the poly block.

14 Attach Top Trim



Predrill 1/8" hole through vinyl trim, poly plate, & vinyl beam into aluminum channel.

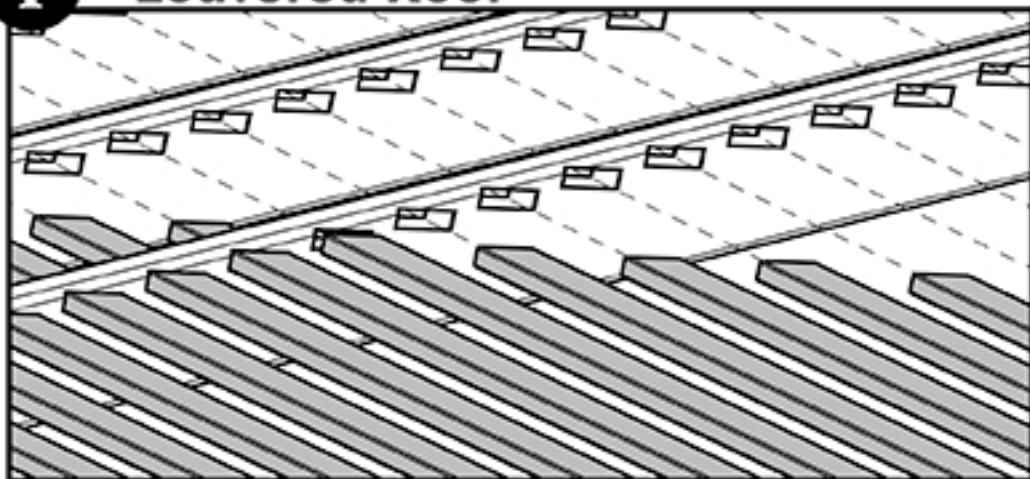
15 Attach Rafters



Leaving 6" from the edge of the outside beam to the end of each rafter, drive a #8 x 1" screw through the hole in the stringer bracket through the vinyl rafter into the aluminum channel.

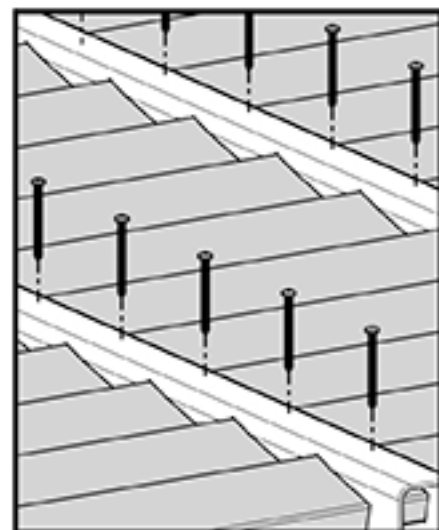
Recommendation: Drive the screw in reverse through the vinyl, then, drive it forward into the aluminum.

i Louvered Roof



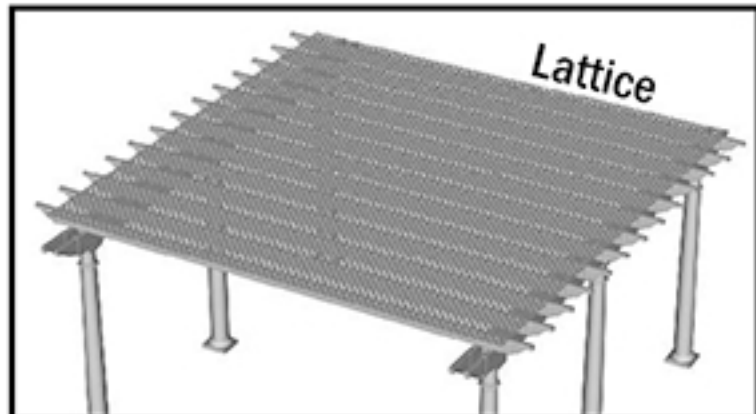
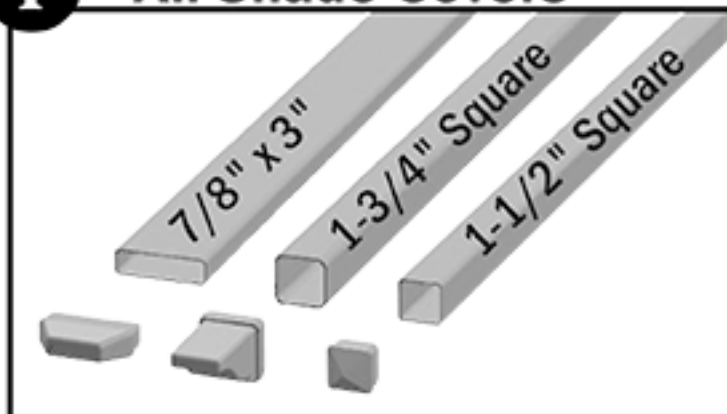
Insert 7/8" x 3" louver through the hole in each rafter.

Center each shade with equal end spacing then fasten each shade with a #8 x 2" screw along each end rafter.

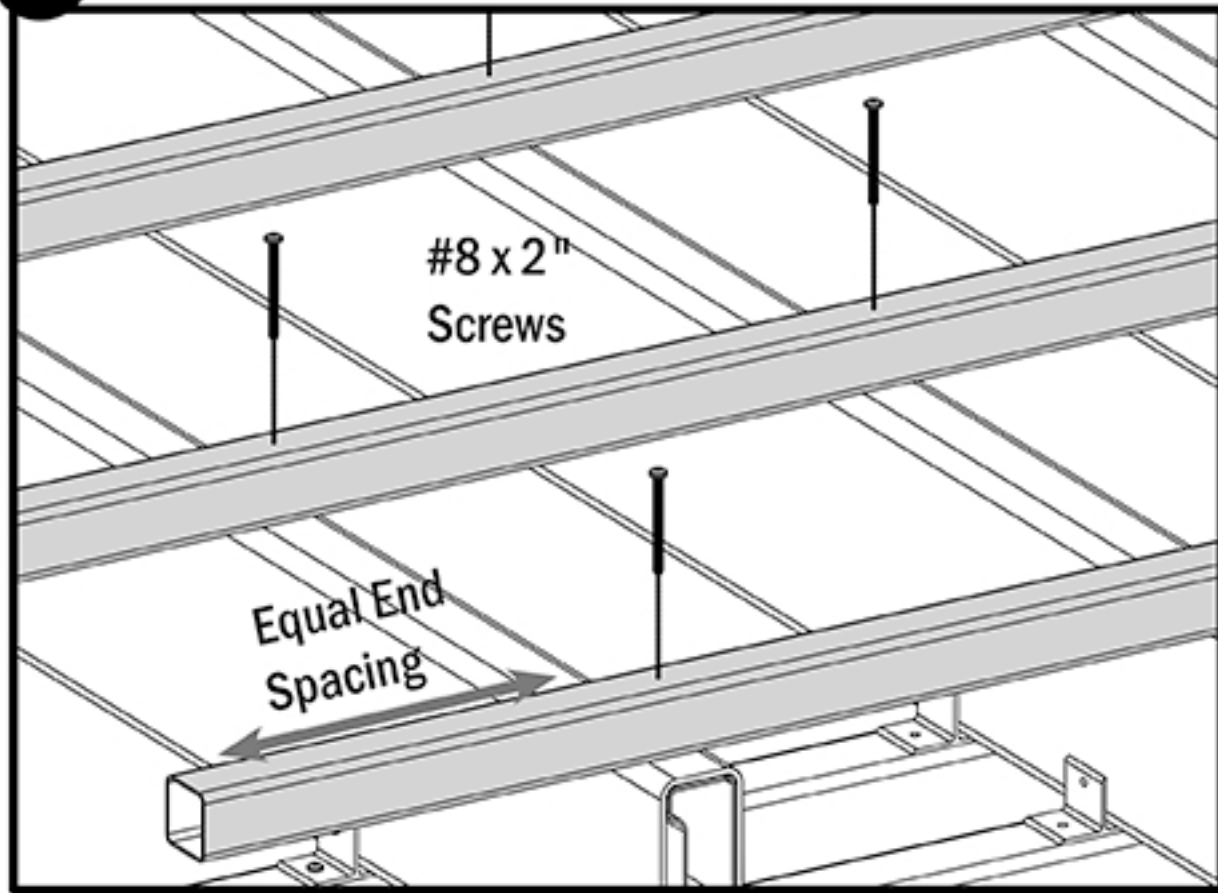


#8 x 2" Screws

i All Shade Covers



16 Attach Shade Cover



17 Attach End Caps

